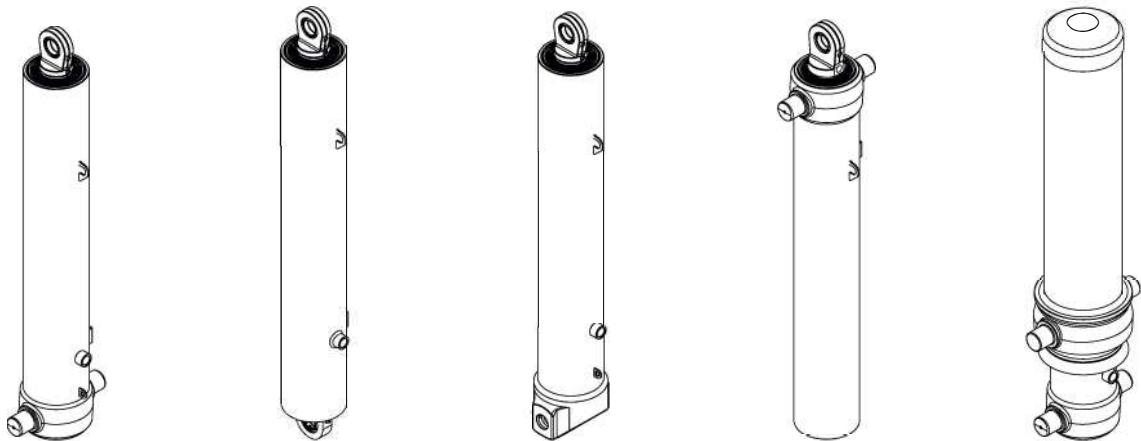




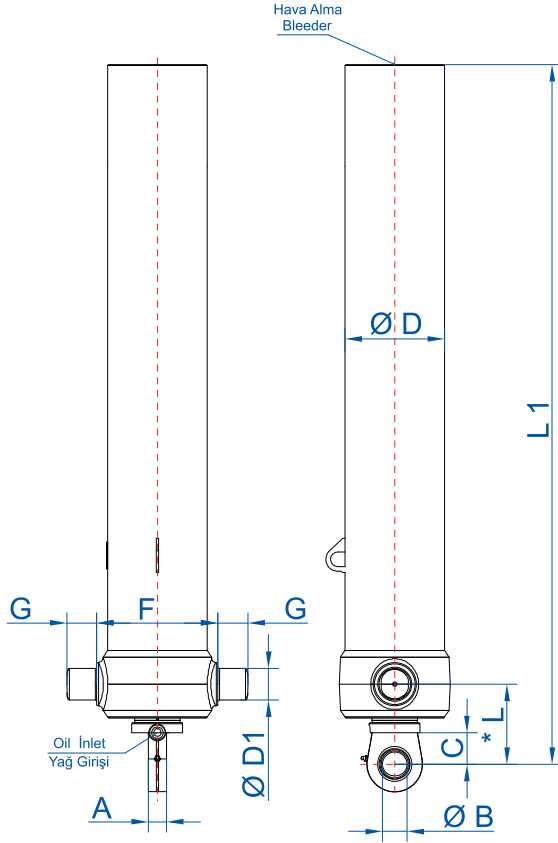
SAMPLE CODING SCHEMA				
CYLINDER TYPE	NUMBER OF STAGE	TOTAL STROKE	FIRST STAGE DIAMETER	MOUNTING TYPE
LFT	4	3980	155	KR
FRONT LIFTING	7-6-5-4-3-2	REFER TO THE TABLE	230-205-180-155-135-115	KR-BR-RR-RK-KK

CYLINDER MOUNTING TYPES



KR (1)	RR (2)	BR (3)	RK (4)	KK (5)
--------	--------	--------	--------	--------

RK TYPE TELESCOPIC CYLINDER



* MONTAJ BOYU / INSTALLATION LENGTH L(+20 mm / +40 mm)

ROD DIAMETER (mm)	THRUST FORCE (Ton)
Ø230	79
Ø205	62,7
Ø180	48,3
Ø155	35,8
Ø135	27,2
Ø115	19,7
Ø95	13,4
Ø75	8,3
Ø55	4,5

- Çalışma Basıncı / Working Pressure : 190 Bar
- Maksimum Çalışma Basıncı / Maximum Working Pressure : 200 Bar
- Renk / Paint : Ral 9005
- Tüm kademeler sert krom kaplıdır / All stages are hard-chrome plated.
- Silindir boruları EN 10305-1 e göre soğuk çekme St-52 E355+SR sertifikalıdır / All cylinder tubes are St-52 E355+SR cold drawn steel tube according to EN 10305-1 norm
- Tüm bağlantı parçaları dövme çeliktendir / All connection parts are forging steel
- Rulman çapı Ø60mm olması durumunda H mesafesi +35mm olacaktır
- Ø60mm bearing is applicable. In this case H will be +35mm

PRODUCT CODE	A	ØB	C	ØD	ØD1	F	G	L	L1	OIL INLET	OIL VOLUME (LT)	WEIGHT (KG)
LFT-3.115.2385.RK.1	34	50	65	136	65	170	60	165	1160	R 1 1/16"	21	89
LFT-3.115.2535.RK.1	34	50	65	136	65	170	60	165	1210	R 1 1/16"	22	92
LFT-3.115.2685.RK.1	34	50	65	136	65	170	60	165	1260	R 1 1/16"	24	96
LFT-3.115.2835.RK.1	34	50	65	136	65	170	60	165	1310	R 1 1/16"	25	101
LFT-3.115.2985.RK.1	34	50	65	136	65	170	60	165	1360	R 1 1/16"	27	105
LFT-3.115.3135.RK.1	34	50	65	136	65	170	60	165	1410	R 1 1/16"	28	108
LFT-3.115.3285.RK.1	34	50	65	136	65	170	60	165	1460	R 1 1/16"	29	112
LFT-3.115.3435.RK.1	34	50	65	136	65	170	60	165	1510	R 1 1/16"	31	115
LFT-4.115.3180.RK.1	34	50	65	136	65	170	60	165	1160	R 1 1/16"	35	122
LFT-3.135.2685.RK.1	38	50	65	156	65	193	60	175	1260	R 1 1/16"	34	120
LFT-3.135.2835.RK.1	38	50	65	156	65	193	60	175	1310	R 1 1/16"	36	123
LFT-3.135.2985.RK.1	38	50	65	156	65	193	60	175	1360	R 1 1/16"	38	127
LFT-3.135.3135.RK.1	38	50	65	156	65	193	60	175	1410	R 1 1/16"	40	134
LFT-3.135.3285.RK.1	38	50	65	156	65	193	60	175	1460	R 1 1/16"	42	138
LFT-3.135.3435.RK.1	38	50	65	156	65	193	60	175	1510	R 1 1/16"	44	143
LFT-3.135.3585.RK.1	38	50	65	156	65	193	60	175	1560	R 1 1/16"	46	148
LFT-3.135.3735.RK.1	38	50	65	156	65	193	60	175	1610	R 1 1/16"	47	153
LFT-3.135.3825.RK.1	38	50	65	156	65	193	60	175	1660	R 1 1/16"	49	157
LFT-3.135.3900.RK.1	38	50	65	156	65	193	60	175	1710	R 1 1/16"	50	162
LFT-3.135.4050.RK.1	38	50	65	156	65	193	60	175	1760	R 1 1/16"	52	170
LFT-3.135.4200.RK.1	38	50	65	156	65	193	60	175	1810	R 1 1/16"	54	175

RK TYPE TELESCOPIC CYLINDER



PRODUCT CODE	A	ØB	C	ØD	ØD1	F	G	L	L1	OIL INLET	OIL VOLUME (LT)	WEIGHT (KG)
LFT-4.135.3180.RK.1	34	50	65	156	65	193	60	175	1160	R 1 1/16"	35	120
LFT-4.135.3380.RK.1	34	50	65	156	65	193	60	175	1210	R 1 1/16"	37	124
LFT-4.135.3580.RK.1	34	50	65	156	65	193	60	175	1260	R 1 1/16"	39	130
LFT-4.135.3780.RK.1	34	50	65	156	65	193	60	175	1310	R 1 1/16"	41	135
LFT-4.135.3980.RK.1	34	50	65	156	65	193	60	175	1360	R 1 1/16"	43	140
LFT-4.135.4080.RK.1	34	50	65	156	65	193	60	175	1410	R 1 1/16"	46	146
LFT-4.135.4380.RK.1	34	50	65	156	65	193	60	175	1460	R 1 1/16"	48	150
LFT-4.135.4580.RK.1	34	50	65	156	65	193	60	175	1510	R 1 1/16"	50	157
LFT-4.135.4780.RK.1	34	50	65	156	65	193	60	175	1560	R 1 1/16"	52	163
LFT-3.155.3135.RK.1	43	50	65	181	65	215	60	175	1410	R 1 1/16"	54	176
LFT-3.155.3285.RK.1	43	50	65	181	65	215	60	175	1460	R 1 1/16"	56	193
LFT-3.155.3435.RK.1	43	50	65	181	65	215	60	175	1510	R 1 1/16"	59	186
LFT-3.155.3585.RK.1	43	50	65	181	65	215	60	175	1560	R 1 1/16"	62	192
LFT-3.155.3735.RK.1	43	50	65	181	65	215	60	175	1610	R 1 1/16"	64	199
LFT-3.155.3825.RK.1	43	50	65	181	65	215	60	175	1660	R 1 1/16"	66	204
LFT-3.155.3900.RK.1	43	50	65	181	65	215	60	175	1710	R 1 1/16"	67	210
LFT-3.155.4050.RK.1	43	50	65	181	65	215	60	175	1760	R 1 1/16"	70	221
LFT-3.155.4200.RK.1	43	50	65	181	65	215	60	175	1810	R 1 1/16"	72	227
LFT-4.155.3580.RK.1	38	50	65	181	65	215	60	175	1260	R 1 1/16"	54	170
LFT-4.155.3780.RK.1	38	50	65	181	65	215	60	175	1310	R 1 1/16"	57	179
LFT-4.155.3980.RK.1	38	50	65	181	65	215	60	175	1360	R 1 1/16"	60	185
LFT-4.155.4180.RK.1	38	50	65	181	65	215	60	175	1410	R 1 1/16"	63	190
LFT-4.155.4380.RK.1	38	50	65	181	65	215	60	175	1460	R 1 1/16"	66	195
LFT-4.155.4580.RK.1	38	50	65	181	65	215	60	175	1510	R 1 1/16"	69	205
LFT-4.155.4780.RK.1	38	50	65	181	65	215	60	175	1560	R 1 1/16"	72	210
LFT-4.155.4980.RK.1	38	50	65	181	66	215	60	175	1610	R 1 1/16"	75	218
LFT-4.155.5100.RK.1	38	50	65	181	65	215	60	175	1660	R 1 1/16"	77	225
LFT-4.155.5200.RK.1	38	50	65	181	65	215	60	175	1710	R 1 1/16"	78	233
LFT-4.155.5400.RK.1	38	50	65	181	65	215	60	175	1760	R 1 1/16"	81	240
LFT-4.155.5600.RK.1	38	50	65	181	65	215	60	175	1810	R 1 1/16"	84	245
LFT-4.155.5800.RK.1	38	50	65	181	65	215	60	175	1860	R 1 1/16"	87	253
LFT-4.180.4180.RK.1	43	50	65	206	65	240	60	180	1410	R 1 1/16"	85	237
LFT-4.180.4380.RK.1	43	50	65	206	65	240	60	180	1460	R 1 1/16"	89	246
LFT-4.180.4580.RK.1	43	50	65	206	65	240	60	180	1510	R 1 1/16"	93	255
LFT-4.180.4780.RK.1	43	50	65	206	65	240	60	180	1560	R 1 1/16"	97	263
LFT-4.180.4980.RK.1	43	50	65	206	65	240	60	180	1610	R 1 1/16"	101	270
LFT-4.180.5100.RK.1	43	50	65	206	65	240	60	180	1660	R 1 1/16"	103	273
LFT-4.180.5200.RK.1	43	50	65	206	65	240	60	180	1710	R 1 1/16"	105	288
LFT-4.180.5400.RK.1	43	50	65	206	65	240	60	180	1760	R 1 1/16"	110	296
LFT-4.180.5600.RK.1	43	50	65	206	65	240	60	180	1810	R 1 1/16"	114	304
LFT-4.180.5800.RK.1	43	50	65	206	65	240	60	180	1860	R 1 1/16"	118	306